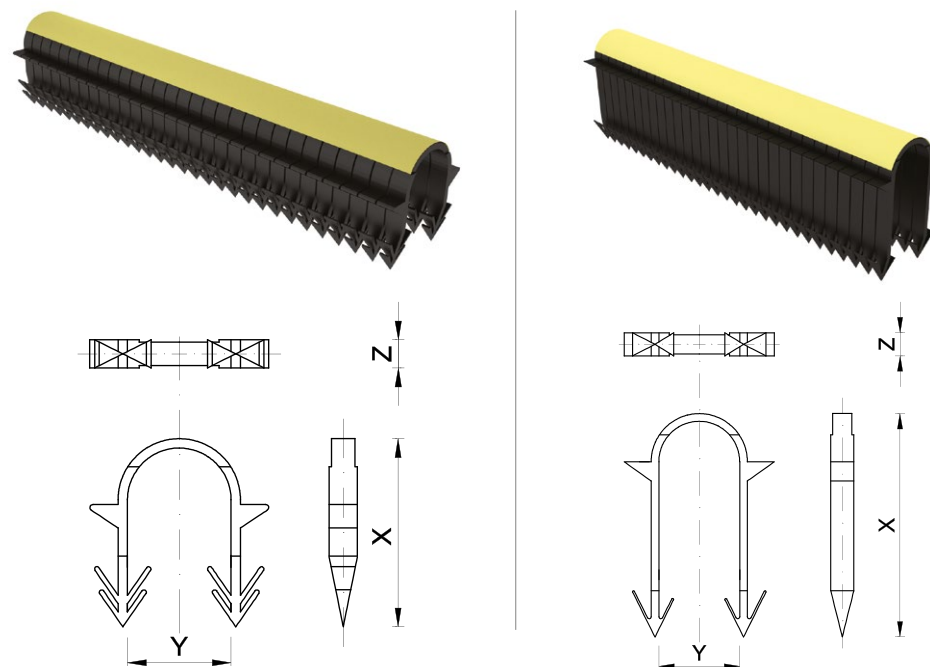


## TECHNICAL DATA:

### TACKER STAPLES FOR UNDERFLOOR HEATING



INDEX	MODEL	DIAMETER	PRODUCT DIMENSIONS X/Y/Z (mm)	NET WEIGHT (g)	SINGLE PACK			MULTIPACK			POLLET		
					QUANTITY	DIMENSIONS (cm)	GROSS WEIGHT (kg)	CANTITATE	DIMENSIONS (cm)	GROSS WEIGHT(kg)	CANTITATE	DIMENSIONS (cm)	GROSS WEIGHT(kg)
F-063628	40 mm	14-20	40 x 18,5 x 5,4	1.4	300	18,5 x 14,5 x 11,5	0,55	300	18,5 x 14,5 x 11,5	0,55	135.000	120 x 80 x 190	267
F-063895	60 mm	14-20	60 x 8,5 x 6	2.0	300	20,7 x 16,5 x 11,5	0,72	300	20,7 x 16,5 x 11,5	0,72	132.600	120 x 80 x 211	338

\* On customer reques tacker staples can be packed directly in the multipacks on the pallet