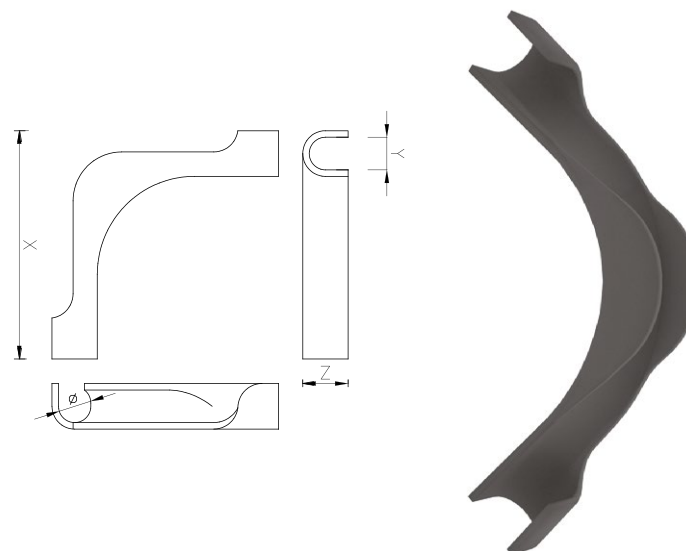


## TECHNICAL DATA:

### PIPE BEND SUPPORT/ GUIDING ELBOW



INDEX	DIAMETER	PRODUCT DIMENSIONS X/Y/Z (mm)	NET WEIGHT (g)	SINGLE PACK			MULTIPACK			POLLET		
				QUANTITY	DIMENSIONS (cm)	GROSS WEIGHT (kg)	QUANTITY	DIMENSIONS (cm)	GROSS WEIGHT (kg)	QUANTITY	DIMENSIONS (cm)	GROSS WEIGHT(kg)
F-697646	10-12	70 x 11 x 22	13	200	39,5 x 26 x 16,5	4.2	1000	54,5 x 41 x 36,5	-	18000	120 x 80 x 185	398
F-062713	14-18	125 x 17 x 25	37	100	39,5 x 26 x 16,5	4	500	54,5 x 41 x 36,5	19.5	9000	120 x 80 x 185	371
F-698506	20-22	140 x 20 x 39	45	50	39,5 x 26 x 16,5	2,55	250	54,5 x 41 x 36,5	12.2	4500	120 x 80 x 185	239
F-061242	25	150 x 23 x 34	63	50	39,5 x 26 x 16,5	3.45	250	54,5 x 41 x 36,5	16.7	4500	120 x 80 x 185	320
F-695802	32-35	225 x 33,5 x 45	180	10	39,5 x 26 x 16,5	2.1	50	54,5 x 41,5 x 36,5	-	900	120 x 80 x 185	209